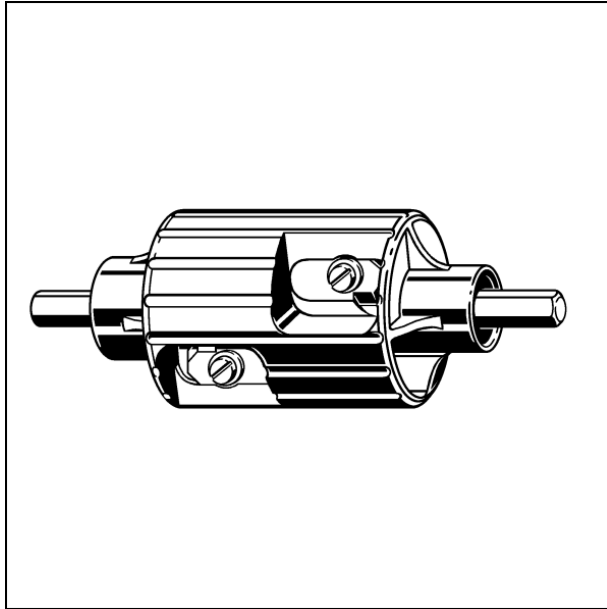
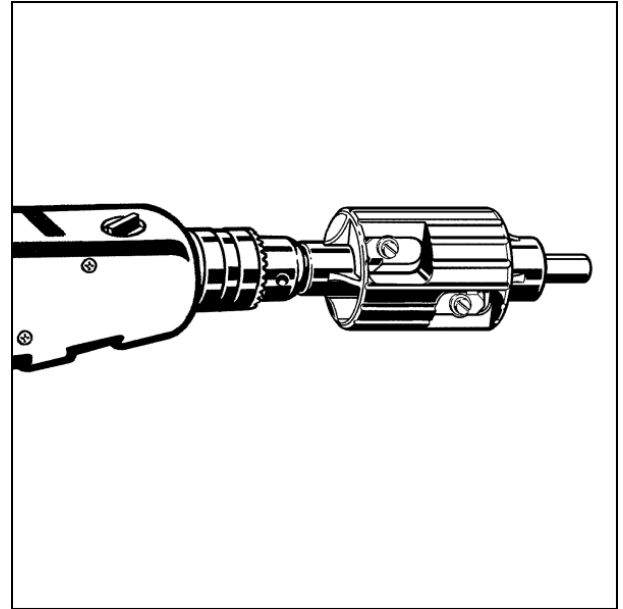


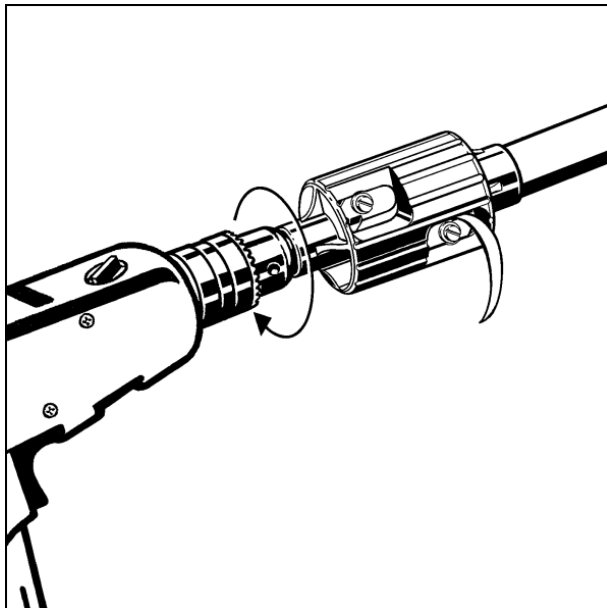
FostaPex Prep Tool Product Instructions



1. FostaPex Prep Tool.



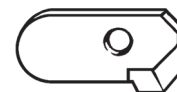
2. Attach the Prep Tool to drill or cordless screwdriver (may also be used manually).



3. Insert tubing into tool and run drill until no more resistance is felt and the tool spins freely.

To maintain calibration do not attempt to adjust the blade.

If the blade becomes dull or does not cut properly, replace the blade by removing the attachment screw, cleaning the mounting surface, and installing a new blade.



54 075